

# **CW-C4000 Series Paper Feeder/Paper Rewinder Designer's Guide**

---

## Cautions

1. This document shall apply only to the product(s) identified herein.
2. No part of this document may be reproduced, stored in a retrieval system, or transmitted in any form or by any means, electronic, mechanical, photocopying, recording, or otherwise, without the prior written permission of Seiko Epson Corporation.
3. The contents of this document are subject to change without notice. Please contact us for the latest information.
4. While every precaution has been taken in the preparation of this document, Seiko Epson Corporation assumes no responsibility for errors or omissions.
5. Neither is any liability assumed for damages resulting from the use of the information contained herein.
6. Neither Seiko Epson Corporation nor its affiliates shall be liable to the purchaser of this product or third parties for damages, losses, costs, or expenses incurred by the purchaser or third parties as a result of: accident, misuse, or abuse of this product or unauthorized modifications, repairs, or alterations to this product, or (excluding the U.S.) failure to strictly comply with Seiko Epson Corporation's operating and maintenance instructions.
7. Seiko Epson Corporation shall not be liable against any damages or problems arising from the use of any options or any consumable products other than those designated as Original EPSON Products or EPSON Approved Products by Seiko Epson Corporation.
8. When this product is used for applications requiring high reliability / safety, such as transportation devices related to aviation, rail, marine, automotive, etc.; disaster prevention devices; various safety devices, etc.; or functional / precision devices, etc., you should use this product only after giving consideration to including fail-safes and redundancies into your design to maintain safety and total system reliability.

## Trademarks

EPSON is a registered trademark of Seiko Epson Corporation.

All other trademarks are the property of their respective owners and used for identification purpose only.

©Seiko Epson Corporation 2021.



# Contents

■ Contents.....	3
■ Paper Feeder/Paper Rewinder Design Guide .....	4
Supported Paper .....	4
Label Length .....	5
Preparation before Use .....	6
Paper Feed Speed .....	7
Paper Load .....	8
Paper Curl.....	8
Paper Angle for Feeding and Ejecting .....	9
Position of Paper Feeder and Paper Rewinder .....	9
Locations of Holes on the Bottom Case .....	10

# Paper Feeder/Paper Rewinder Design Guide

The CW-C4000 Series is designed to print on roll paper fed from inside the printer or on fanfold paper fed from outside the printer.

If you use an external large diameter roll paper feeder and/or paper rewinder with the printer, read this section carefully to know required settings and requirements for using the external devices, and perform adequate verification before starting actual printing.

## Supported Paper

The following types of paper are supported when using an external large diameter roll paper feeder and/or paper rewinder with CW-C4000 Series printers.

Forms of paper	Paper types	Paper shapes	Roll paper core	Label length
Continuous paper (without black marks)	Plain paper Matte paper	Roll paper	Outer diameter: $\phi 82$ mm {3.23"} (Example: Inner diameter: $\phi 3$ inches, paper tube thickness: 3 mm {0.12"} or more)	Label length: <a href="#">Page 5</a>
Continuous paper (with black marks)	Glossy paper			
Die-cut label (Gap)	Plain paper label			
Die-cut label (Black Marks)	Matte label Synthetic label Glossy label Texture label Glossy film label High glossy label			

## Label Length

The length of the label that can be used depends on the paper specifications. For details, see the following table.

Paper types	Forms of paper	Label length	Paper without waste part	Paper without waste part on left and right sides only
Plain paper label Matte label Texture label Glossy label High glossy label	Die-cut label (Gap)  Die-cut label (Black Marks)	8 to less than 25.4 mm (0.31 to less than 1 inch)	× Not supported	✓ Supported
		25.4 to 406.4 mm (1 to 16 inch)	✓ Supported	✓ Supported
Synthetic label Glossy film label		8 to less than 50.8 mm (0.31 to 2 inch)	× Not supported	✓ Supported
		50.8 to 406.4 mm (2 to 16 inch)	✓ Supported	✓ Supported

1. For the latest information on detailed paper specifications and the base paper used in roll paper, contact qualified service personnel.
2. For details on paper without waste part and paper without waste part on the left and right sides only, see the CW-C4000 Series Technical Reference Guide.
3. Continuous paper cannot be used with a paper rewinder, because continuous paper must be cut for each page.

## Preparation before Use

If you use an external large diameter roll paper feeder and/or paper rewinder with the printer, perform the following items before use.


### Install the Fanfold Paper Feed Guide

Install the "Fanfold Paper Feed Guide". For details on the installation method, see the CW-C4000 Series User's Guide.

### Set the Media Source to [External Feed]

Set the Media Source to [External Feed]. For details on this setting, refer to the CW-C4000 Series User's Guide.



- Do not use [Stop at Peel-Off Position] in the Print Mode.
  - \* The printer preforms a back feed operation of a length determined by Print Mode.
  - \* If you use an external large diameter roll paper feeder and/or paper rewinder with the printer, a paper jam might occur when feeding paper backward from the peel-off position. Therefore, do not use [Print Mode] - [Stop at Peel-Off Position].
  - \* Make sure that the external large diameter roll paper feeder and/or paper rewinder does not interfere with the back feed in the following Print Mode.
    - Stop at Cut Position                      Back feed amount Approx. 32 mm {1.26"}
    - Stop at Print End Position              Back feed amount Approx. 32 mm {1.26"}
- When using the printer in an environment with high humidity, use the following method to load paper.
  - \* In an environment with high humidity, paper jams might occur when paper is inserted from the rear. In such cases, use the following method to load paper.
    1. Open the front cover.
    2. Feed the paper from the rear of the printer to the front.
    3. Close the front cover, and then press the  (Pause) button.

## Set the Printer Driver

- 1 Click [Advanced] on the [General] tab.
- 2 Select the check box for [Paper Adjustment] - [Paper Vacuum Manual Adjustment].
- 3 Move the slide bar to adjust the vacuum.

It is recommended to select [Strong] for the vacuum.

The image shows two screenshots of the Epson printer driver interface. The left screenshot shows the 'Printer Utilities' tab with the 'Advanced...' button highlighted. The right screenshot shows the 'Advanced' settings window with the 'Media Hold Pressure Manual Adjustment' checkbox checked and the slider set to 10. A pencil icon is in the top left corner of the right screenshot.

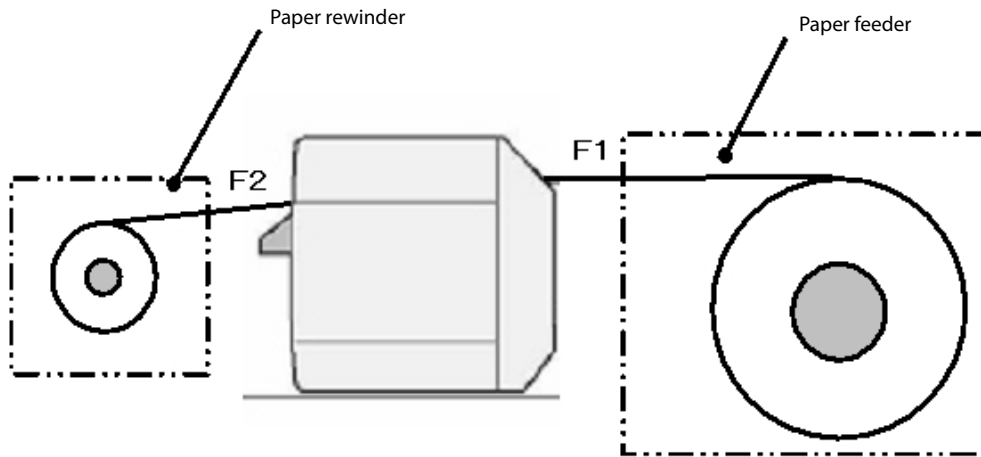
## Paper Feed Speed

The following table shows the paper feed speeds of this printer.

Paper Feed Speed	Example of Use
254 mm {10"}/s	Printing, feeding paper before/after printing (paper width detection, cut position movement, etc.)
127 mm {5"}/s	Printing, feeding paper when the Feed button is pressed
25.4 mm {1"}/s	Printing, feeding paper when it is loaded

## Paper Load

The allowable values of tension (F1, F2) applied to paper between the printer and a paper feeder or rewriter (or backing paper rewriter) are as follows.



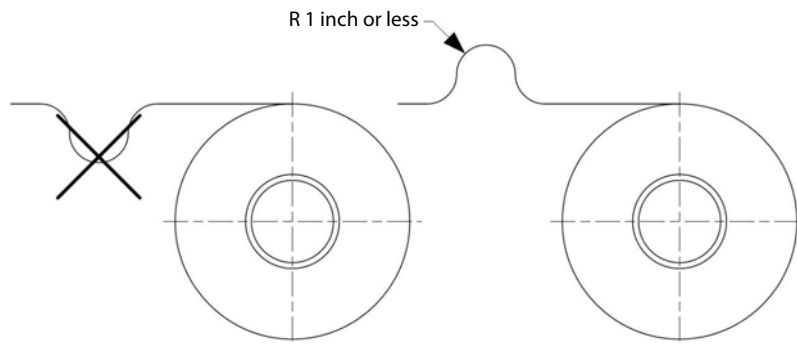
Paper feeder side	Paper tension (F1)	2N or less
	Amplitude	If there is fluctuation in tension: Set the cycle to 1 inch.
Paper (backing paper) rewriter side	Paper tension (F2)	0.2N or less
	Amplitude	0.1N or less

## Paper Curl

When using a paper feeder, follow the guidelines below to prevent paper from curling.

When leaving the printer and the paper feeder unused for a long term, place the paper feeder so that paper is not curled in the direction opposite to the roll winding direction.

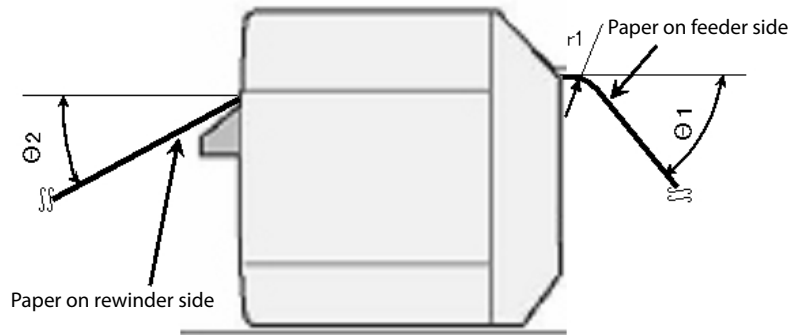
In addition, avoid letting the paper curl with a radius of 1.0 inches or less even if the paper is curled in the roll winding direction.





## Paper Angle for Feeding and Ejecting

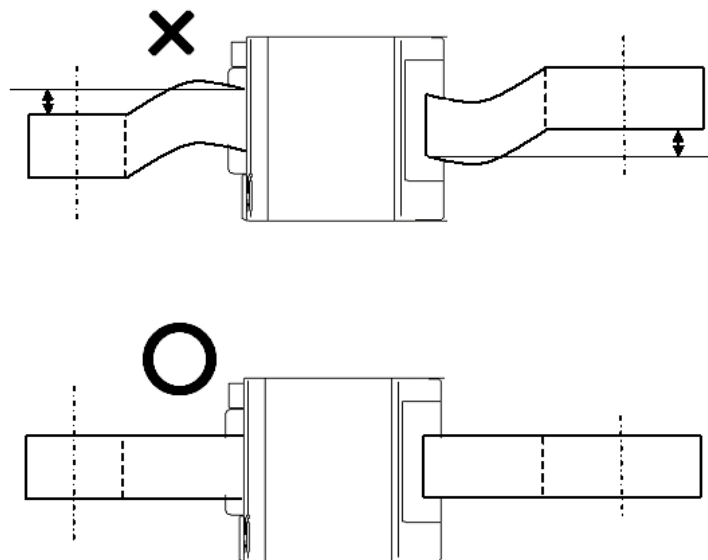
The allowable values of angle for feeding paper from a paper feeder ( $\theta_1$ ) and for ejecting paper to a paper rewriter ( $\theta_2$ ) are as follows.



Angle for paper feeding: $\theta_1$	$0^\circ$ When $r_1 > 1$ inch: $0^\circ \leq \theta_1 \leq 60^\circ$
Angle for ejecting paper: $\theta_2$	$0^\circ \leq \theta_2 \leq 30^\circ$

## Position of Paper Feeder and Paper Rewinder

Place a paper feeder and paper rewriter so that paper is fed or ejected straight to/from the printer.



If you find that paper is skewed before it reaches the printer or rewriter, adjust the position of the paper feeder or the paper rewriter.

## Locations of Holes on the Bottom Case

There are holes in the bottom case of the printer as shown in the figures below. They can be used as necessary for positioning the printer, etc. Note that the dimensions shown in the figures are for reference only.

